

# HOOK

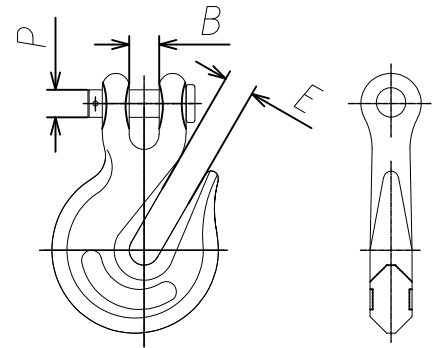
Leading The Way Of Precision Manufacturing

## 1. Clevis Grab Hook

Material: Carbon Steel(G43)  
/ Alloy Steel(G70)

Breaking Strength: 4 times W.I.I.

Surface: Zinc Plating,  
Hot Dip Galvanized, Powder Painted



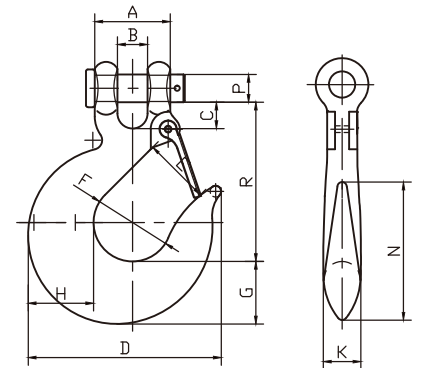
Part No.	Size Of Chain (in.)	Working Load Limit (lbs.)		Weight (lbs.)	Dimension (in.)		
		H-330	A-330		B	E	P
TKR0208	1/4	2,600	3,600	0.4	0.36	0.4	0.38
TKR0209	5/16	3,900	5,400	0.79	0.4	0.44	0.44
TKR0210	3/8	5,400	7,500	1	0.48	0.5	0.47
TKR0211	7/16	7,200	10,000	1.5	0.66	0.56	0.56
TKR0212	1/2	8,200	12,750	2.1	0.75	0.66	0.63
TKR0213	5/8	12,750	19,000	4.2	0.91	0.78	0.75
TKR0214	3/4	18,500	27,000	6.5	0.94	0.94	0.88

## 2. Clevis Slip Hook with Latch

Material: Carbon Steel(G43)  
/ Alloy Steel(G70)

Breaking Strength: 4 times W.I.I.

Surface: Zinc Plating,  
Hot Dip Galvanized, Powder Painted



Part No.	Size Of Chain (in.)	Working Load Limit (lbs.)		Weight (lbs.)	Dimension(in.)		
		H-331	A-331		B	E	P
TKR0215	1/4	1,950	2,750	0.5	0.44	0.79	0.38
TKR0216	5/16	2,875	4,300	0.75	0.5	0.93	0.44
TKR0217	3/8	4,000	5,250	1.2	0.59	1.14	0.47
TKR0218	7/16	5,000	7,000	2.06	0.66	1.18	0.56
TKR0219	1/2	6,500	9,000	2.8	0.75	1.42	0.63
TKR0220	5/8	9,250	13,500	5.18	0.91	1.65	0.75
TKR0221	3/4	12,500	19,250	10.45	1.31	1.81	1
TKR0222	1	17,600	26,500	13.65	1.38	1.98	1.14

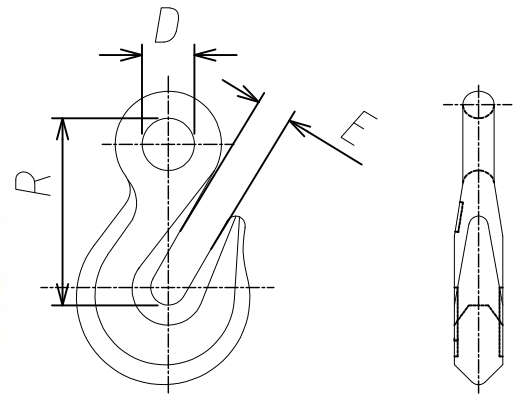
# Hook

## 3.323 Eye Grab Hook

Material: Carbon Steel(G43)  
/ Alloy Steel(G70)

Breaking Strength: 4 times W.L.L.

Surface: Zinc Plating,  
Hot Dip Galvanized, Powder Painted



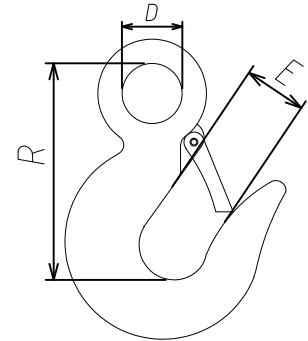
Part No.	Size Of Chain (in.)	Working Load Limit (lbs.)		Weight (lbs.)	Dimension (in.)		
		H-323	A-323		D	E	R
TKR0223	1/4	2,600	3,600	0.28	0.5	0.34	1.97
TKR0224	5/16	3,900	5,400	0.45	0.56	0.44	2.25
TKR0225	3/8	5,400	7,500	0.79	0.66	0.5	2.56
TKR0226	7/16	7,200	10,000	1.19	0.75	0.56	2.94
TKR0227	1/2	9,200	12,750	1.8	0.88	0.66	3.38
TKR0228	5/8	12,750	19,000	3.3	1.06	0.78	4.11
TKR0229	3/4	18,500	27,000	6	1.38	0.94	5.16

## 4.320 Eye Hook with Latch

Material: Carbon Steel(G43)  
/ Alloy Steel(G70)

Breaking Strength: 4 times W.L.L.

Surface: Zinc Plating,  
Hot Dip Galvanized, Powder Painted



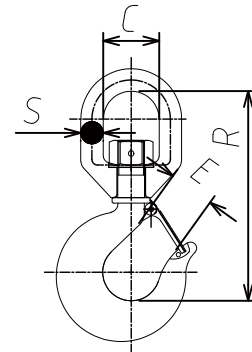
Part No.	Working Load Limit (t)		Weight (kg)	Dimension (mm)		
	320C	320A		D	R	E
TKR0230	1/2	3/4	0.18	16	71.1	20.5
TKR0231	3/4	1	0.25	19	81.7	21
TKR0232	1	1-1/2	0.41	23	93	23
TKR0233	1-1/2	2	0.59	28.4	103.8	24.5
TKR0234	2	3	0.93	31.8	118.9	26.5
TKR0235	3	4-1/2	1.77	39.6	146.6	33.5
TKR0236	5	7	3.25	50.8	188.5	38
TKR0237	7-1/2	11	5.9	61.9	230	48
TKR0238	10	15	10.15	73	257.7	57
TKR0239	15	22	16.25	89	316	74
TKR0240	20	30	27.2	90	255.9	98

### 5. Swivel Hook With Latch

Material: Carbon Steel(G43)  
/ Alloy Steel(G70)

Breaking Strength: 4 times W.I.I.

Surface: Zinc Plating,  
Hot Dip Galvanized, Powder Painted



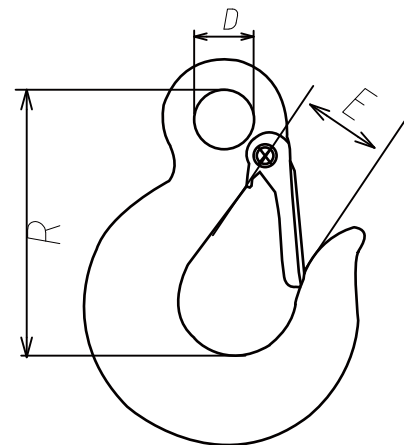
Part No.	Working Load Limit (t)		Weight (lbs.)	Dimension (in.)			
	322C	322A		C	E	S	R
TKR0241	0.75	1	0.88	1.25	0.88	0.37	4.47
TKR0242	1	1.5	1.28	1.5	0.97	0.5	5.37
TKR0243	1.5	2	2.27	1.75	1	0.63	6.02
TKR0244	2	3	2.84	1.75	1.12	0.63	6.37
TKR0245	3	4.5	5.13	2	1.34	0.75	7.41
TKR0246	5	7	10.38	2.5	1.69	1	9.59
TKR0247	7.5	11	16.21	2.75	2.06	1.13	11.13
TKR0248	10	15	23.39	3.13	2.24	1.25	11.94
TKR0249	15	22	47.08	4.13	3.19	1.57	16.97
TKR0250	20	30	70.4	4.13	3.25	1.57	18.58

### 6. Eye Slip Hook with Latch

Material: Carbon Steel(G43)  
/ Alloy Steel(G70)

Breaking Strength: 4 times W.I.I.

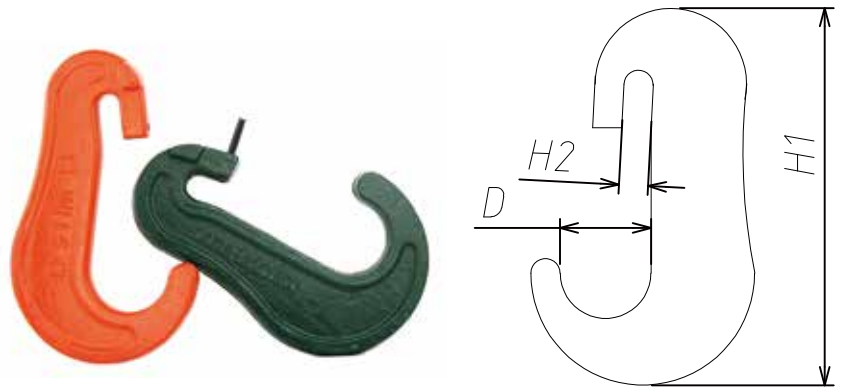
Surface: Zinc Plating,  
Hot Dip Galvanized, Powder Painted



Part No.	Size of Chain (in.)	Working Load Limit (lbs.)		Weight (kg)	Dimension (in.)		
		H-324	A-324		D	E	R
TKR0251	1/4	1950	2750	0.42	0.5	0.94	2.56
TKR0252	5/16	2875	4300	0.72	0.63	1.06	2.95
TKR0253	3/8	4000	5250	1.03	0.72	1.31	3.36
TKR0254	7/16	5000	7000	1.64	0.81	1.56	3.88
TKR0255	1/2	6500	9000	2.45	0.94	1.69	4.28
TKR0256	5/8	9250	13500	4.13	1.13	2	2.22
TKR0257	3/4	12500	19250	6.76	1.38	2.13	5.8

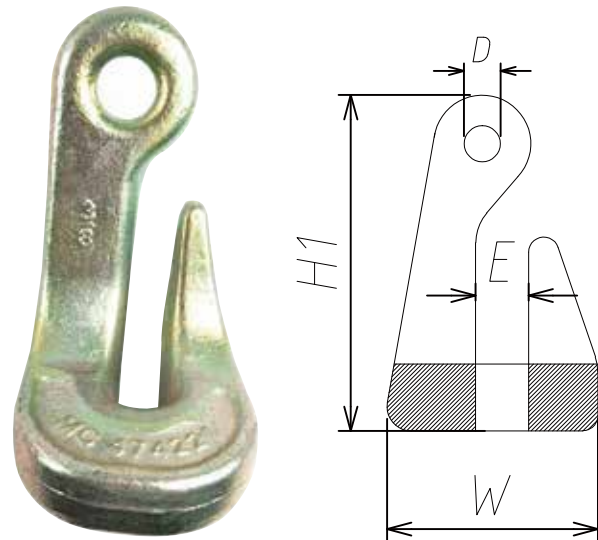
# Hook

## 7. High Tensile Hook

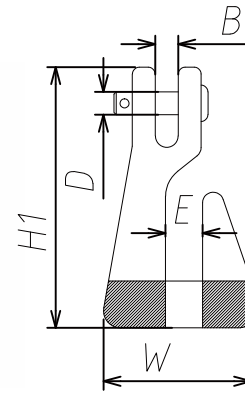


Part NO.	Size of Chain (mm)	Working Load Limit (t)	Weight (kg)	Dimension (mm)		
				H1	H2	D
TKR0258	9-8	2.5	0.5	143	13.5	18.5
TKR0259	11-8	3.75	0.85	177	15.5	22
TKR0260	13-8	5.4	1.38	205	17.7	25.5

## 8. Eye Grab Bend Hook

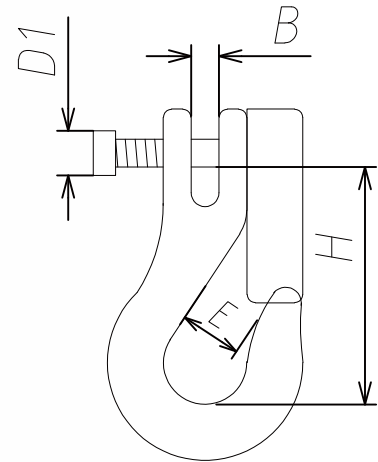


Part NO.	Size of Chain (in.)	M.B.S.(t)	Weight (kg)	Dimension (mm)			
				D	E	H1	W
TKR0261	5/16	4.54	0.37	12.5	10.2	78	58.2
TKR0262	3/8	16	0.63	22	13	120	67.3



9.Clevis Grab Bend Hook

Part NO.	Size (in.)	M.B.S. (t)	Weight (lbs.)	Dimension (in.)				
				B	E	H1	W	D
TKR0263	5.16	4.54	0.99	0.43	0.46	4.74	2.28	0.47

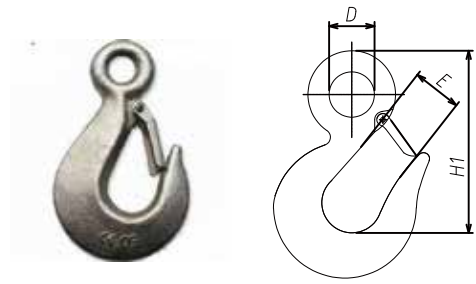


10.Cevis Grab Hook with Latch

Part NO.	Size (in.)	Working Load Limit (t)		Weight (lbs.)	Dimension (in.)			
		Carbon Steel	Alloy Steel		B	E	H	D1
TKR0264	1/4	1.18	1.63	0.62	0.36	0.39	1.97	0.37
TKR0265	5/16	1.77	2.45	0.96	0.4	0.44	2.21	0.43
TKR0266	3/8	2.45	3.4	1.32	0.47	0.5	2.63	0.47
TKR0267	1/2	4.17	5.78	2.6	0.66	0.66	3.29	0.63
TKR0268	5/8	5.78	8.62	4.66	0.91	0.78	4.14	0.75

# Hook

## 11.Trailer Hook

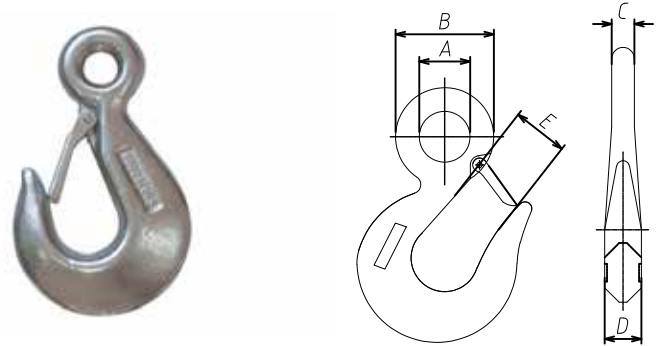


Part No.	Working Load Limit (t)	Weight (kg)	Dimension (mm)		
			D	E	H1
TKR0269	0.5	0.2	18	16.5	78.8
TKR0270	1	0.26	16	18	80.8
TKR0271	1.5	0.35	16	22	94
TKR0272	2	0.39	16	23	101.5



## 12.Chain with Delta Ring and Eye Grab Hook

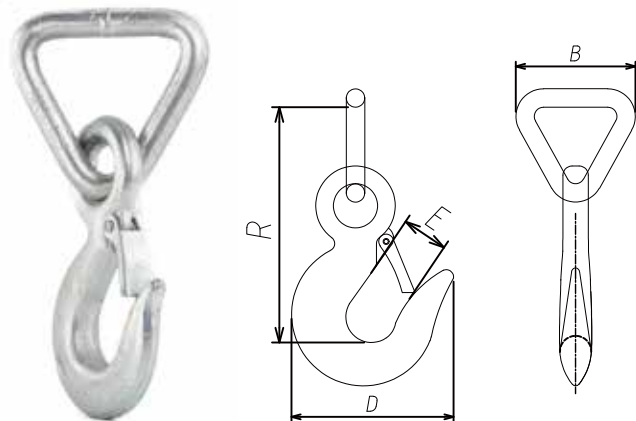
Part No.	Chain size (in.)	Delta Ring Size (in.)	Breaking Strength(t)	Weight (kg)	L (mm)
TKR0273	5/16	3	7.5	1.31	457
TKR0274	3/8	4	8.7	1.71	457



13. Din689 European Eye Hook

Part No.	Working Load Limit (t)	Weight (kg)	Dimension (mm)				
			A	B	C	D	E
TKR0275	0.25	0.16	12	27	7.5	13	17
TKR0276	0.5	0.36	16	37	10	17.5	18
TKR0277	1	0.98	20	47	13.5	24	29
TKR0278	1.6	1.4	22	55	16.5	27	32
TKR0279	2.5	3.1	25	67	21	37.6	42

14. Tiangle Hook with Safety Latch



Part No	Size (mm)	Breaking Strength (t)	Weight (kg)	Dimension (mm)			
				B	D	E	R
TKR0280	58	5	0.54	58	70	20	133
TKR0281	83	5	0.6	83	70	20	155



## 15.G80 Chain Sling Hook with Latch

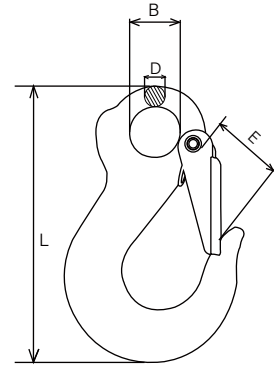
G80 Hook

Forged Alloy Steel

Quenched & Tempered

Breaking Strength: 4 times W.L.L.

Surface: Powder Painted



Part NO.	Working Load Limit (t)	Breaking Load (t)	Weight (kg)	Dimension (mm)			
				D	E	B	L
TKR0282	1.12	4.48	0.22	9	26	20	108
TKR0283	2	8	0.38	11.3	31	25	133
TKR0284	3.15	12.6	0.95	15.4	33.4	38	167
TKR0285	5.3	21.6	2	19	42.3	43	213
TKR0286	8	32	3	23	51.6	50	255
TKR0287	12.5	50	5.6	26.9	60.7	62	305
TKR0288	15	60	9.4	32	78	62	348
TKR0289	21.2	84.8	12.7	35	94.4	64	394
TKR0290	31.5	126	20.3	36.5	110.3	88	480

## 16.G80 Clevis Sling Hook with Latch

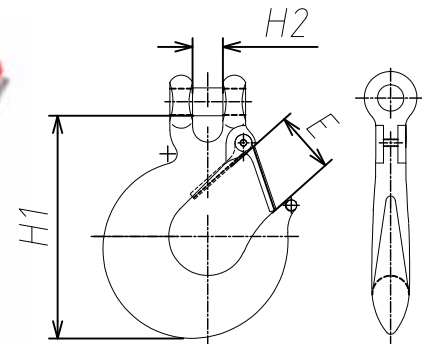
G80 Hook

Forged Alloy Steel

Quenched & Tempered

Breaking Strength: 4 times W.L.L.

Surface: Powder Painted



Part No.	Size (mm)	Working Load Limit (t)	Weight (kg)	Dimensions (mm)		
				H1	H2	E
TKR0291	6	1.12	0.32	76	8	26
TKR0292	7-8	2.0	0.48	85.5	9.5	29
TKR0293	10	3.15	0.95	104	13	39
TKR0294	13	5.3	1.8	128	16.5	47
TKR0295	16	8	3.4	150	21.5	55
TKR0296	20	12.5	6	180	24	61
TKR0297	22	15	10.4	213	27	72
TKR0298	26	21.2	14.5	250	30	85
TKR0299	32	31.5	27	317	35	106

**17.G80 Australia Eye Grab Hook with Wing**

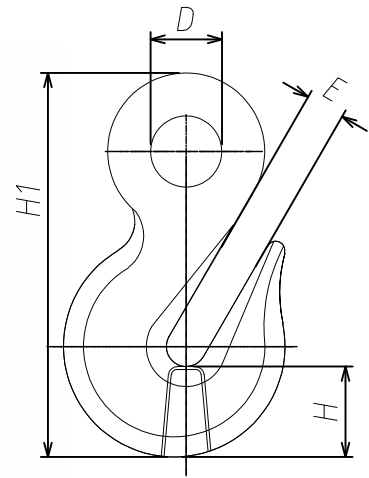
G80 Hook

Forged Alloy Steel

Quenched & Tempered

Breaking Strength: 4 times W.L.L.

Surface: Powder Painted



Part No.	Size (mm)	Working Load Limit (t)	Weight (kg)	Dimension (mm)			
				H	D	H1	E
TKR0300	6	1.12	0.17	18	13.5	76	8
TKR0301	7-8	2	0.25	18.5	17	87.5	10.8
TKR0302	10	3.15	0.65	29	20	120	13
TKR0303	13	5.3	1.39	42.8	26	156	16.5
TKR0304	16	8	2.2	43.5	30	167	19.2
TKR0305	20	12.5	4.6	56	37	219	24
TKR0306	22	15	8.2	68	44	259	28
TKR0307	26	21.2	9.8	77	51	298	30
TKR0308	32	31.5	19.4	95	57	360.5	38

**18.G80 Australia Clevis Grab Hook with Wing**

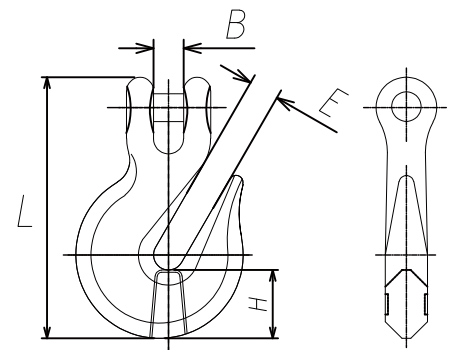
G80 Hook

Forged Alloy Steel

Quenched & Tempered

Breaking Strength: 4 times W.L.L.

Surface: Powder Painted



Part No.	Size (mm)	Working Load Limit (t)	Weight (kg)	Dimension (mm)			
				B	E	H	L
TKR0309	6	1.12	0.21	8	8	18.5	76.5
TKR0310	7-8	2	0.32	9.5	10.8	18.8	88.5
TKR0311	10	3.15	0.78	12.5	13.5	29.5	124.5
TKR0312	13	5.3	1.65	15.5	16.5	42	160.5
TKR0313	16	8	2.86	19.5	20	44	182
TKR0314	20	12.5	5.05	24	24	54.8	214.5
TKR0315	22	15	6.32	27	27	68.5	254
TKR0316	26	21.2	14.5	30	30	77	309

# Hook

## 19.G80 Large Opening Eye Hook

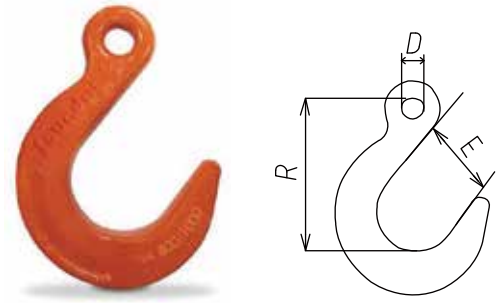
G80 Hook

Forged Alloy Steel

Quenched & Tempered

Breaking Strength: 4 times W.L.L.

Surface: Powder Painted



Part No.	Working load limit (t)	Weight (kg)	Dimension (mm)		
			D	E	R
TKR0317	2	0.78	24	60	158
TKR0318	3.2	0.99	31	60	172.5
TKR0319	3.8	1.3	31	78	197.5
TKR0320	5.4	2.55	40	85.5	245
TKR0321	8	4.85	49	94	288
TKR0322	12.5	6.65	61	106	330

## 20.G80 Eye Safety Hook

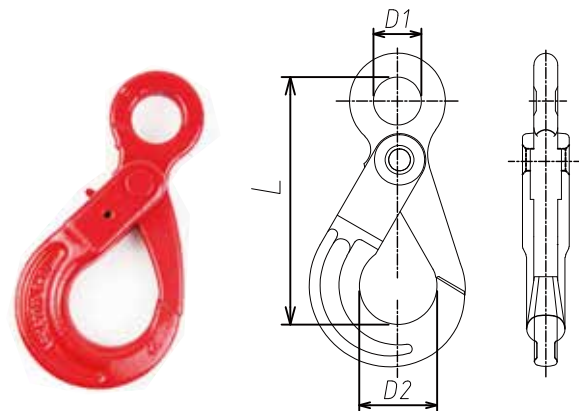
G80 Hook

Forged Alloy Steel

Quenched & Tempered

Breaking Strength: 4 times W.L.L.

Surface: Powder Painted



Part No.	Size (mm)	Working Load Limit (t)	Weight (kg)	Dimension(mm)		
				D1	D2	L
TKR0323	6	1.12	0.5	22	33	110
TKR0324	7-8	2	0.86	24.8	42	132
TKR0325	10	3.15	1.52	32	55	167
TKR0326	13	5.3	3.15	40	67.2	204
TKR0327	16	8	6.1	56.5	83	250
TKR0328	20	12.5	8.1	62.6	96	269
TKR0329	22	15	12.6	70	96	312.5
TKR0330	26	21.2	21.9	80.5	106.8	362
TKR0331	32	31.5	44.4	105	166	470

**21.G80 Clevis Safety Hook**

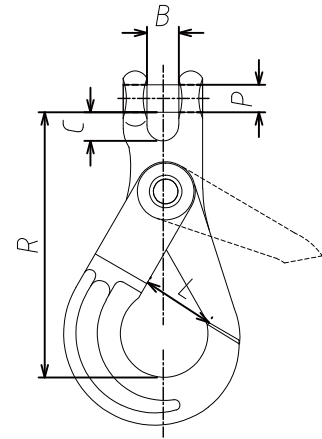
G80 Hook

Forged Alloy Steel

Quenched & Tempered

Breaking Strength: 4 times W.L.L.

Surface: Powder Painted



Part No.	Size (mm)	Working Load Limit (t)	Weight (kg)	Dimension(mm)				
				B	C	L	P	R
TKR0332	6	1.12	0.55	9.2	7.0	28.3	8.0	95.5
TKR0333	7/8	2	0.95	9.5	9.0	33.7	9.0	114.0
TKR0334	10	3.15	1.55	13	14.5	43.1	13.0	142.0
TKR0335	13	5.3	3.30	14.5	18.0	50.9	16.0	181.0
TKR0336	16	8	6.25	19.2	20.2	61.6	20.0	205.5
TKR0337	20	12.5	8.55	25.4	25.4	84.0	24.0	228.5
TKR0338	22	15	11.5	25.4	25.8	77.1	28.0	268.5
TKR0339	26	21.2	18.95	30	31.6	97.1	32.6	317.5
TKR0340	32	31.5	49.2	36	37.5	168	40	100.5

**22.G80 Swivel Safety Hook**

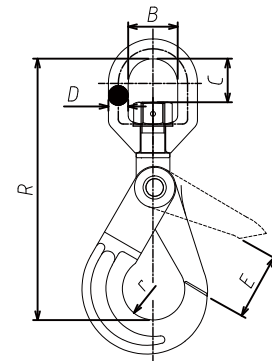
G80 Hook

Forged Alloy Steel

Quenched & Tempered

Breaking Strength: 4 times W.L.L.

Surface: Powder Painted



Part No.	Size (mm)	Working Load Limit (t)	Weight (kg)	Dimension(mm)				
				B	C	D	R	r
TKR0341	6	1.12	0.75	32.5	24.5	11.5	149.5	16.5
TKR0342	7/8	2	1.25	35	25.4	13	182	21
TKR0343	10	3.15	2	42	32.2	15	215.5	27.5
TKR0344	13	5.3	4	49	43	17.5	265.5	33.6
TKR0345	16	8	7.8	61	55	21.5	323.3	41.5
TKR0346	20	12.5	10.2	71	59	26	356	48
TKR0347	22	15	16.6	96	89.5	33.7	449	48
TKR0348	26	21.2	23	122	115	42	544	53.4
TKR0349	32	31.5	81	140	146	52	679	83

## 23.G80 Large Opening Hook

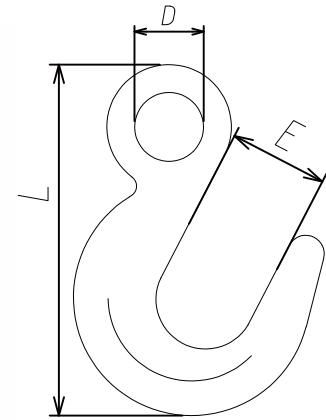
G80 Hook

Forged Alloy Steel

Quenched & Tempered

Breaking Strength: 4 times W.L.L.

Surface: Powder Painted



Part No.	Working Load Limit (t)	Weight (kg)	Dimension(mm)		
			D	E	L
TKR0350	2	0.78	24	60	158
TKR0351	3.2	0.99	31	60	172.5
TKR0352	3.8	1.3	31	78	197.5
TKR0353	5.4	2.55	40	85.5	245
TKR0354	8	4.85	49	94	288
TKR0355	12.5	6.65	61	106	330

## 24.G80 Pipe Hook

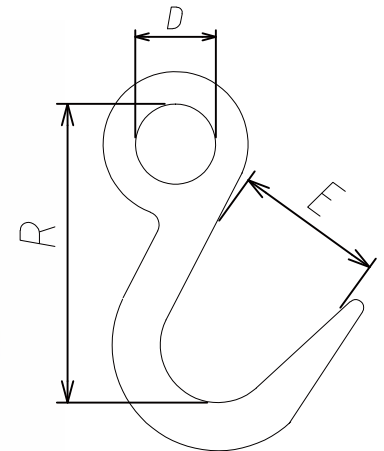
G80 Hook

Forged Alloy Steel

Quenched & Tempered

Breaking Strength: 4 times W.L

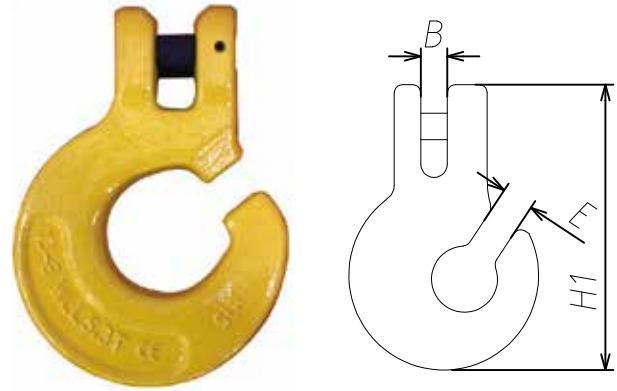
Surface: Powder Painted



Part No.	Working Load Limit (t)	Weight (kg)	Dimension(mm)		
			D	E	R
TKR0356	1	0.55	21.7	76.5	140.5

**25. G80 Clevis Forest Hook**

G80 Hook  
 Forged Alloy Steel  
 Quenched & Tempered  
 Breaking Strength: 4 times W.L.L.  
 Surface: Powder Painted

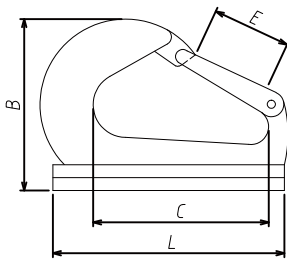


Part No.	Size (mm)	Working Load Limit (t)	Weight (kg)	Dimension(mm)		
				B	E	H1
TKR0357	7/8	2	0.9	9.5	10.5	95.5
TKR0358	10	3.15	2.03	13	13.5	135.5
TKR0359	13	5.3	3.85	16	16	165

**26. G80 Weld on Hook**



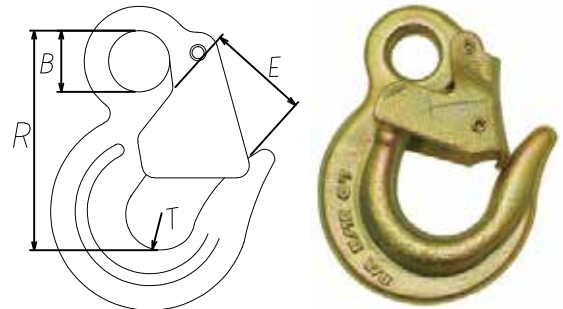
Forged Alloy Steel  
 Quenched & Tempered  
 Breaking Strength: 4 times W.L.L.  
 Surface: Powder Painted



Part No	Working Load Limit (t)	Weight (kg)	Dimensions(mm)			
			B	C	E	L
TKR0360	1	0.6	79.5	59	23	89.5
TKR0361	2	0.88	92	65	26.5	81
TKR0362	3	1.2	106	74.5	31	15
TKR0363	5	2.52	133	97	37.4	158.4
TKR0364	8	3.26	139.1	93.5	35.4	164
TKR0365	10	5.17	165.4	138.3	51	202.5

**27. 398-H Hooks**

Forged Alloy Steel  
 Quenched & Tempered  
 Breaking Strength: 4 times W.L.L.  
 Surface: Powder Painted



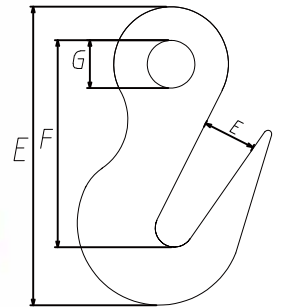
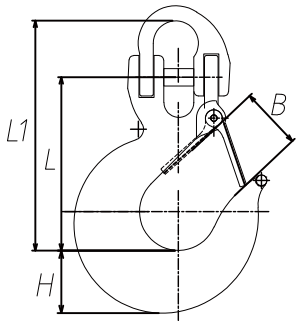
Part No	Size (in.)	MBS (lbs.)	Weight (kg)	Dimensions(mm)			
				B	E	R	T
TKR0366	5/16	18800	0.39	17.5	25	75	23

# Hook

## 28. G80 Sling Hook with Half Links and Latch

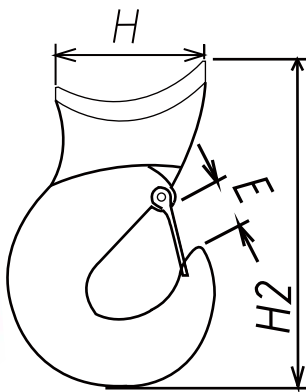


Part NO.	Chain Size (in.)	Working Load Limit (t)	Weight (lbs.)	Dimension (in.)			
				L	L1	B	H
TKR0367	9/32	3,500	1.1	3.5	4.6	1.3	0.83
TKR0368	5/16	4,500		3.5	4.6	1.3	0.83
TKR0369	3/8	7,100	2.4	4.5	5.9	1.6	1.1
TKR0370	1/2	12,000	5.1	5.6	7.4	2	1.4
TKR0371	5/8	18,100	9	7.1	9.2	2.4	1.7
TKR0372	3/4	28,300	13.4	7.8	10.2	2.6	2



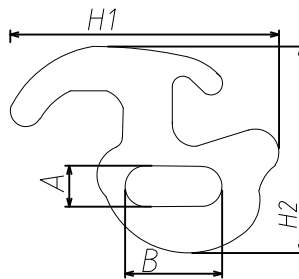
## 29. Shorting Hook

Part NO.	W.L.L. at Botton (t)	W.L.L. at Tip of Hook (t)	Weight (kg)	Dimension(in.)			
				E	F	G	H
TKR0373	7.5	2	2.91	9.69	7.37	1.38	2.81



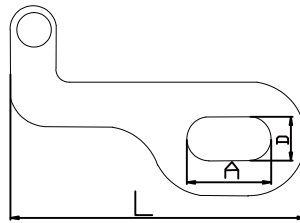
## 30. G80 Sliding Choke Hook

Part NO.	Working Load Limit (t)	Weight (lbs.)	Dimension (in.)		
			H	E	H2
TKR0374	1.6	1.5	1.97	0.83	5.2
TKR0375	2	2.66	2.5	0.91	5.96
TKR0376	3	4.38	2.72	1.14	6.69
TKR0377	5	9.2	3.37	1.5	8.39



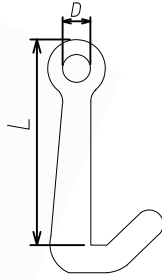
## 31. R Hook

Part No.	Size (in.)	Breaking Strength (t)	Weight (kg)	Dimension (mm)			
				A	B	H1	H2
TKR0378	5/16	8.5	0.3	14.4	26	85.2	66.9



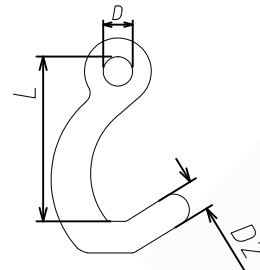
**32. T Hook**

Part No.	Size (in.)	Breaking Strength (t)	Weight (kg)	Dimension (mm)		
				A	D	L
TKR0379	5/16	8.5	0.26	29	14.5	101



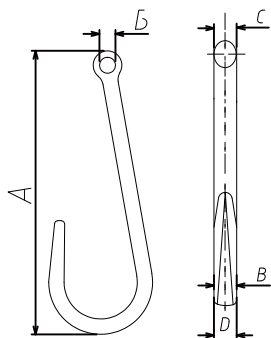
**33.Small J Hook**

Part No.	Size (in.)	Breaking Strength (t)	Weight (kg)	Dimension (in.)	
				D	L
TKR0380	5/16	8.5	0.32	0.57	4.14



**34.J Sling Hook**

Part No.	Size (in.)	Breaking Strength (t)	Weight (kg)	Dimension (in)		
				D	D2	L
TKR0381	5/16	8.5	0.32	0.57	0.63	3.59

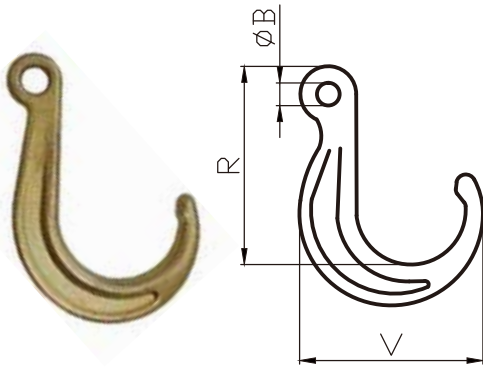


**35.Clevis J Hook**

Part No.	Size (mm)	Breaking Strength (t)	Weight (kg)	Dimension (mm)			
				A	B	C	D
TKR0382	8	8.5	1.24	210	12.4	12.7	25.5
TKR0383	15	8.5	1.5	366.8	12.4	12.7	23.7



# Hook

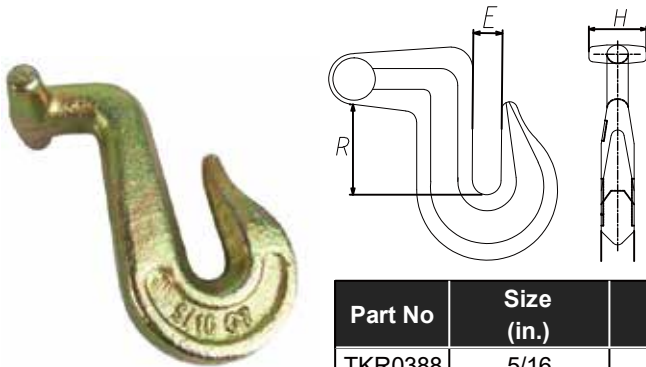
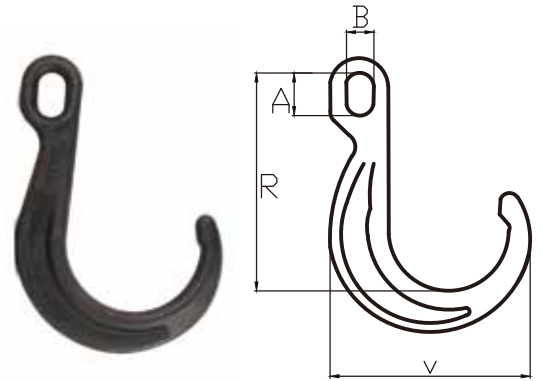


36. J Hook with Round Hole

Part No.	Size (mm)	Breaking Strength (t)	Weight (kg)	Dimension (mm)		
				B	E	L
TKR0384	8	8.5	1.15	19	105.5	171
TKR0385	15	8.5	1.75	19	105.5	348

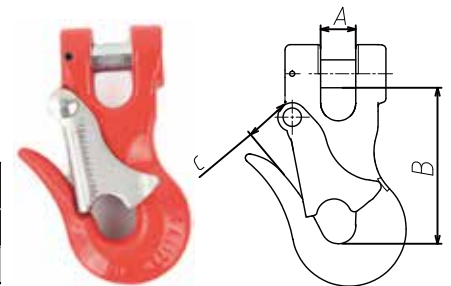
37. J Type Hook with Ellipse Hole

Part No.	Size (in.)	Breaking Strength (t)	Weight (kg)	Dimensions(mm)			
				A	B	R	V
TKR0386	8	8.5	1.5	32	19.5	162	146
TKR0387	15	8.5	2	32	19.5	318.2	157.3



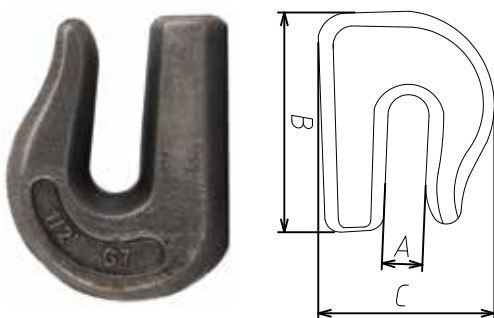
38. Grab Hook with T Type Handle

Part No	Size (in.)	MBS (lbs.)	Weight (kg)	Dimension (mm)			
				E	H	I	R
TKR0388	5/16	18800	0.35	12	41	15.5	53



39. Custom Clevis Hook with Latch

Part No	Breaking Load	Weight (kg)	Dimension (mm)		
			A	B	C
TKR0389	5	0.26	13.2	58.75	16.43



40. Weld on Grab hook

Part No	Size (in.)	Weight (kg)	W.L.L. (lbs.)	Dimension (mm)		
				A	B	C
TKR0390	5/16	0.21	4700	11.5	64	49.6
TKR0391	3/8	0.4	6600	13	76	60
TKR0392	1/2	0.79	11300	17.5	99.1	78.1
TKR0393	5/8	1.5	15800	20.6	127	103.9

## 41. Weld on Grab hook

Part No	Size (in.)	Weight (kg)	W.L.L. (lbs.)	MBS (lbs.)
TKR0394	5/16	0.755	3900	11700
TKR0395	3/8	1.79	5400	19800

